

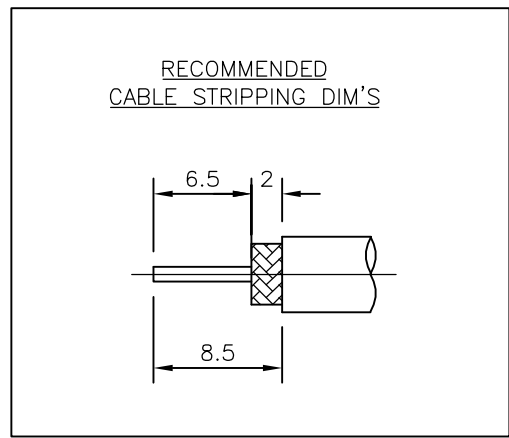
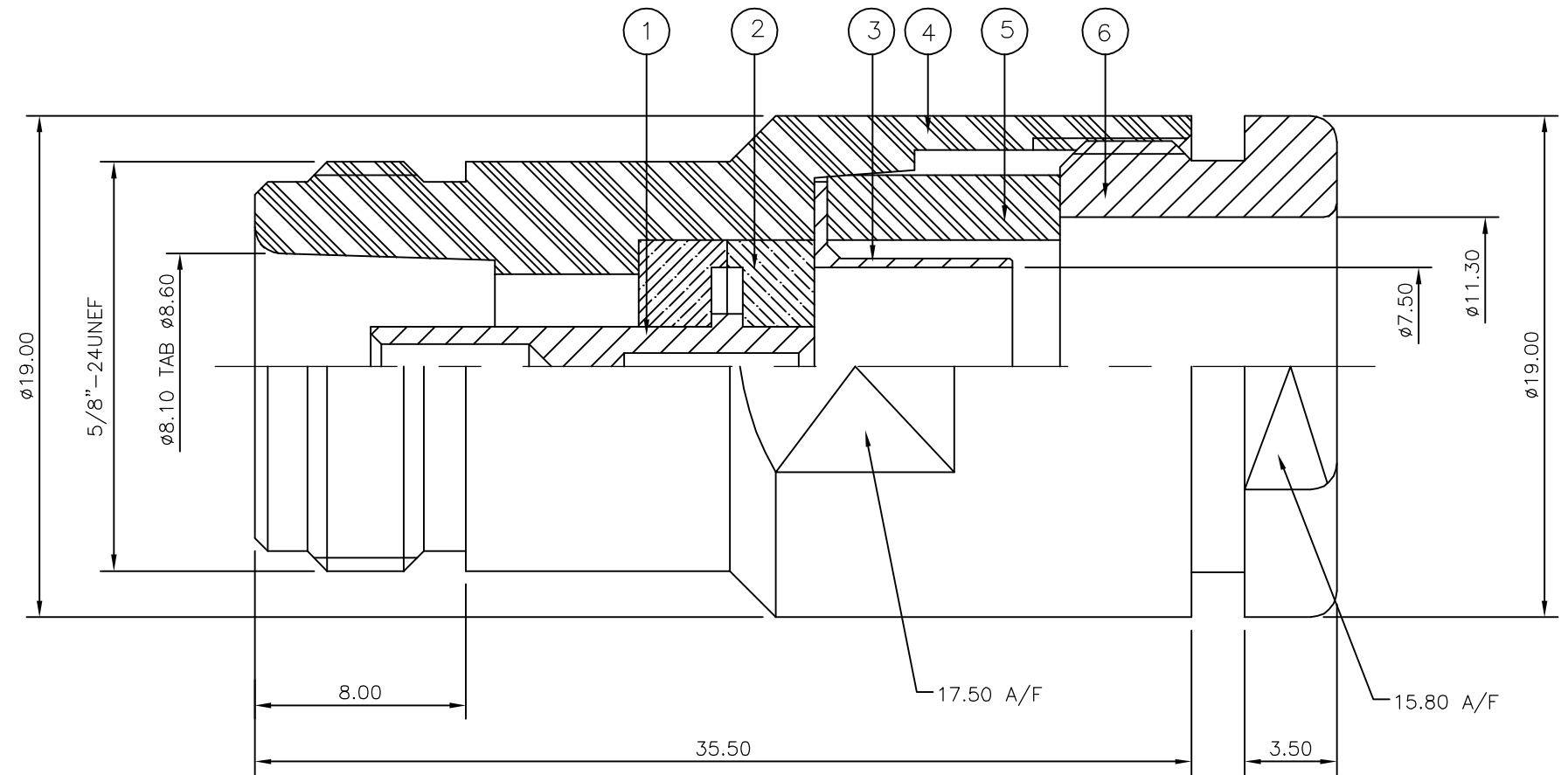
THIS DRAWING IS UNPUBLISHED. RELEASED FOR PUBLICATION SEP, 2005.

© COPYRIGHT 2005 BY TYCO ELECTRONICS CORPORATION. ALL RIGHTS RESERVED.

LOC	DIST	REVISIONS					
E	B	P	LTR	DESCRIPTION	DATE	DWN	APVD
		C		ECR-05-010526	14SEP05	JMS	FWK

NOTES:

- 1 PACK IN ACCORDANCE WITH AMP SPEC 107-3275
- 2 100 TRAY PACK IN ACCORDANCE WITH AMP SPEC 107-3275
- 3 Ag PLATING
- 4 THIS ITEM MUST BE WHITE
- 5. ELECTRICAL CHARACTERISTICS
 FREQUENCY RANGE: DC - 11 GHz
 NOMINAL IMPEDANCE: 50 Ohm
 INSULATION RESISTANCE: 5000 MOhm
 WORKING VOLTAGE: 1000 Volts RMS at Sea Level
 DIELECTRIC WITHSTAND VOLTAGE: 2500 Volts RMS Max
 CONTACT RESISTANCE:
 CENTRE CONTACT: 1.00 mOhm Max
 OUTER CONTACT: 1.00 mOhm Max
 VSWR @ 4GHz: 1.30:1 Max
 INSERTION LOSS dB @ x 4 GHz: 0.30 Max
- 6. MECHANICAL CHARACTERISTICS
 COUPLING NUT RETENTION FORCE: N/A
 CABLE RETENTION FORCE: 350N Min
 CLAMP NUT RECOMMENDED TORQUE: 4.5N
 DURABILITY: 500 Cycles Min
- 7. ENVIRONMENTAL CHARACTERISTICS
 OPERATING TEMPERATURE: -65 to +165 DegC



QTY	UNIT	MATERIAL	DESCRIPTION	ITEM
1	1	BRASS	CLAMP NUT	6
1	1	SILICON RUBBER	GASKET	5
1	1	BRASS	BODY	4
1	1	BRASS	SLEEVE	3
1	1	PTFE	INSULATION	2
1	1	BRASS	CONTACT	1
6--0	1--0	MATERIAL	DESCRIPTION	ITEM

THIS DRAWING IS A CONTROLLED DOCUMENT.		DWN J.SANDWELL 14SEP05	Tyco Electronics Corporation Bideford EX39 4HE	
DIMENSIONS: mm		CHK S.PARLOW 14SEP05		
TOLERANCES UNLESS OTHERWISE SPECIFIED:		APVD F.WHEELER-KING 14SEP05	NAME TYPE-N STRAIGHT JACK SOLDER 50 OHM PSF 1/4M, RG8A/U, 213/U, URM67, KX4	
0 PLC ± - 1 PLC ± - 2 PLC ± - 3 PLC ± - 4 PLC ± - ANGLES ± -		PRODUCT SPEC 108-3435		
MATERIAL SEE TABLE		FINISH SEE TABLE	APPLICATION SPEC 411-3256	SIZE A3
		WEIGHT -	CAGE CODE 00779	DRAWING NO C-1337406
CUSTOMER DRAWING		SCALE NTS	SHEET 1 OF 1	REV C